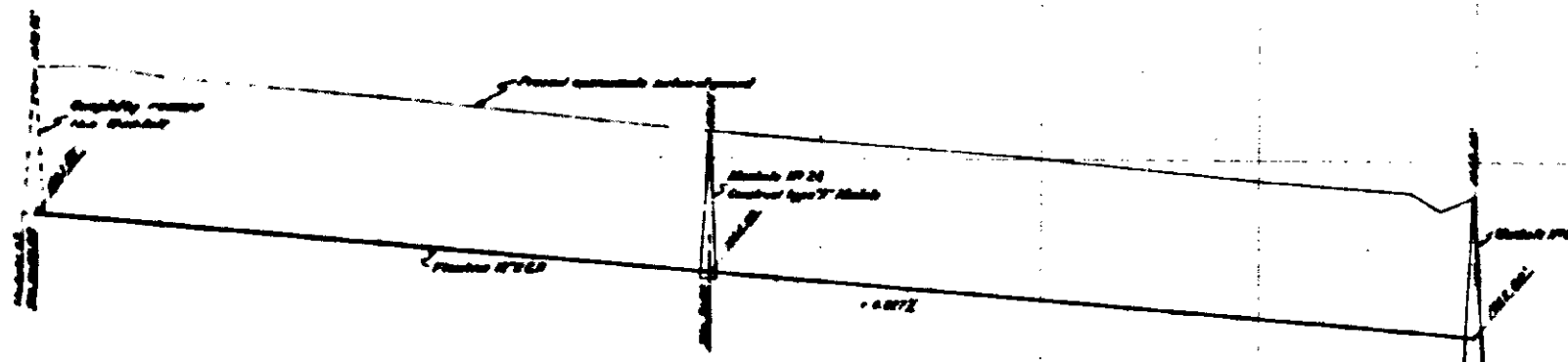


A 12" x 12" plan and 7" x 7" section (Rough City Products "Standard" or equal) will be installed in the center of 12" x 12" hole. A temporary 4" x 4" hole will be constructed as indicated in the detail above. To prevent the sewerage around the existing manhole. The manhole will then be completely removed, and the 7" x 7" will be temporarily plugged with 12" x 12" Kingsman. It will then be removed to the 7" x 7" and substituted with the 12" x 12" plug. The temporary 4" x 4" hole will then be removed and the 7" x 7" will be permanently plugged with 7" x 7". It will then be placed in the existing manhole. The drawings from the 7" x 7" has been attached with the 12" x 12" hole.

HOOKUP DETAIL

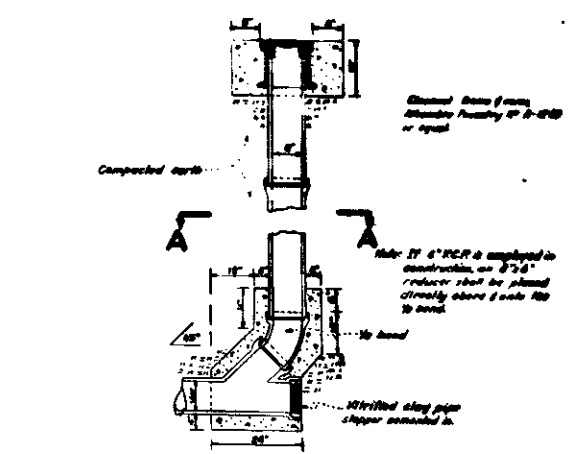
Note: Removal of manhole and hookups of manholes used in the construction from the main sewer, then etc. The manholes to be removed shall be properly braced and supported. The area shall be properly braced and supported under excavation of 15% and back filled.

BM Street SE of 5th St
 17' 21"
 To 100' 0" N 31'

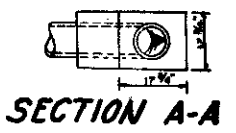


**PROFILE
 KINGMAN STREET**

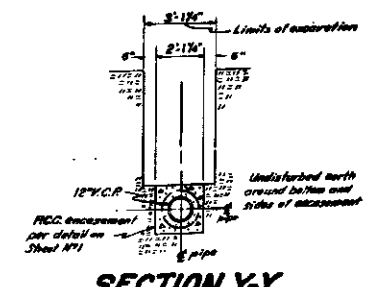
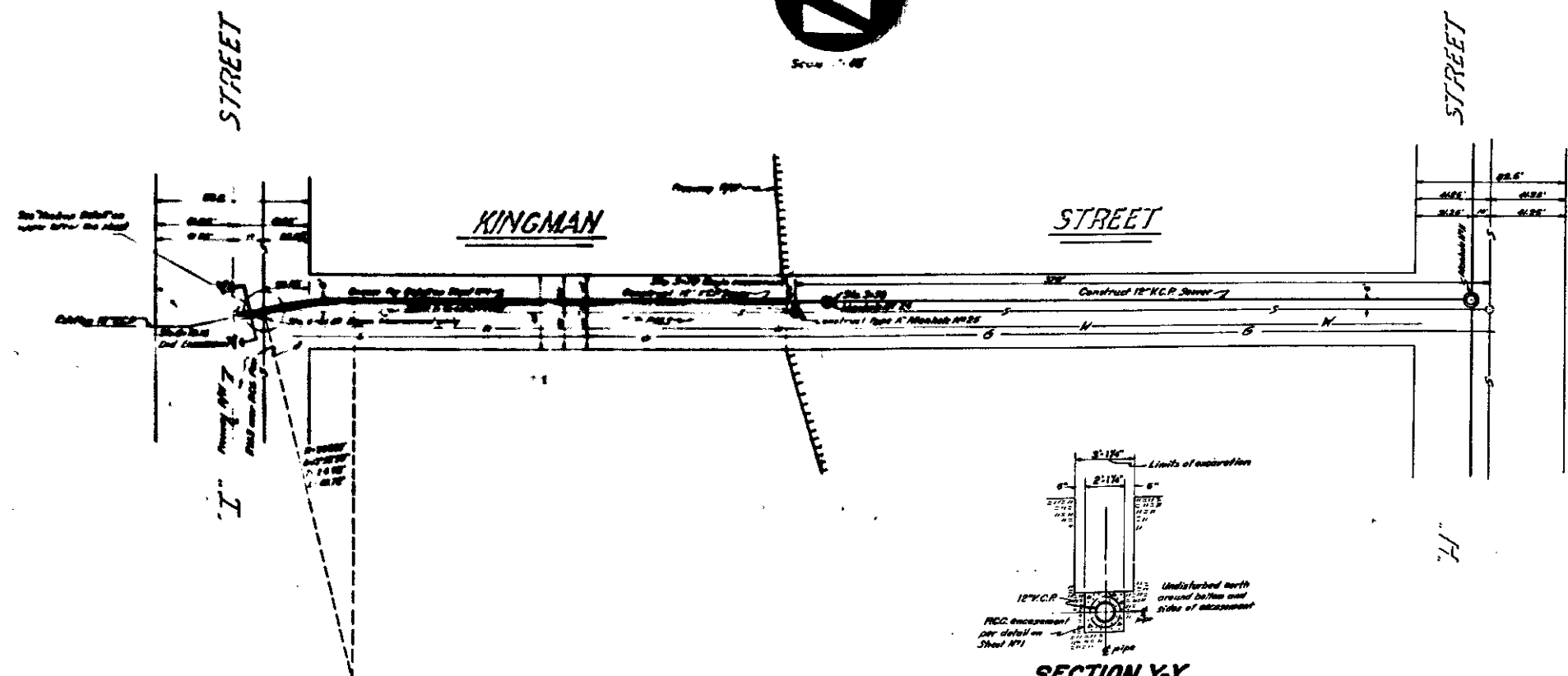
July 17, 1916
 June 17, 1916



SECTIONAL ELEVATION



SECTION A-A



SECTION Y-Y

SHEET NO. 8

76-231